



# INSTRUCTION MANUAL

## REPTILE 1030

FREEDOM BREEDER



REPTILE 1030

# INSTRUCTION MANUAL

**REPTILE 1030**  
FREEDOM BREEDER



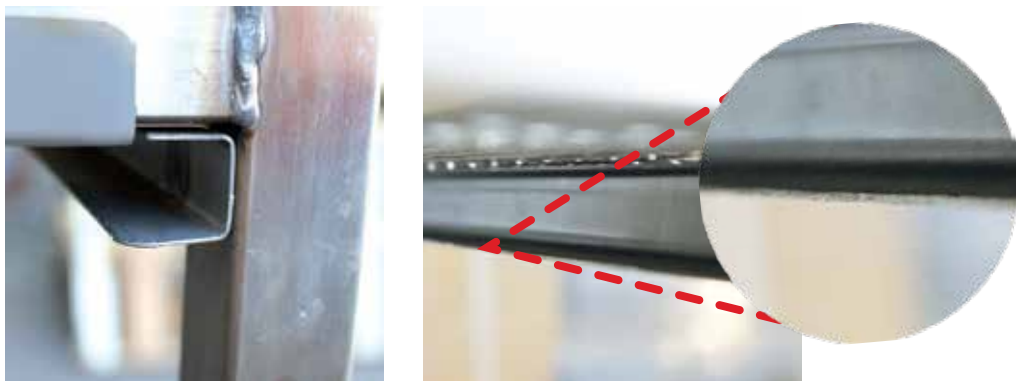
## Product Description

**This rack is made of 304 Stainless Steel, no rust ever!**

When we designed our Reptile 1030 rack, we wanted to create the most versatile professional reptile rack available. Today this rack still stands up as the most popular rack size among hobbyists and professional institutions throughout the world for not only ball pythons, but also for keeping a myriad of other species. Perfect for everything from leopard gecko colonies, to colubrids and ball pythons, we guarantee that our Reptile 1030 rack will be the best housing you have ever provided for your animals.

### Caution

Channels and backstops have sharp edges, take precautions.



\*Any comments or suggestions on this Instructions Manual please send us an email to [manuel@freedombreeder.com](mailto:manuel@freedombreeder.com)

# INSTRUCTION MANUAL

REPTILE 1030  
FREEDOM BREEDER



## Packing List

PART #	DESCRIPTION	QTY
1	Reptile 1030 Stainless Steel Levels	10
2	5" Heat Panels	10
3	FB-70 Tubs	30
4	Base Frame	1
5	4" Heavy Duty Casters (Nuts and Bolts Included)	4

**\*Any extra items purchased can be found on your invoice.**  
**\*Packing list may vary depending on your order.**

## Requirements



1/2" Socket



Ratchet



Cutter



Gloves



Two persons  
**\*Recommended**

# INSTRUCTION MANUAL

REPTILE 1030  
FREEDOM BREEDER



## Assembly

### STEP 1. Unwrapping

The Reptile 1030 is packed in a cardboard carton and plastic wrap for protection during shipment. Carefully unpack the items and remove the pallet.

Notice that the Reptile 1030 is almost assembled.

**Note:** If you detect any issue or damage please contact us before you accept the shipment.



### STEP 2. Parts



Count all parts to make sure nothing is missing.

See Packing list for Descriptions and Quantities.

PART #	DESCRIPTION	QTY
1	Reptile 1030 Stainless Steel Levels	10
2	5" Heat Panels	10
3	FB-70 Tubs	30
4	Base Frame	1
5	4" Heavy Duty Casters (Screws and Bolts Included)	4

**Continue to step 3**

# INSTRUCTION MANUAL

**REPTILE 1030**  
FREEDOM BREEDER



## Assembly

### STEP 3. Casters

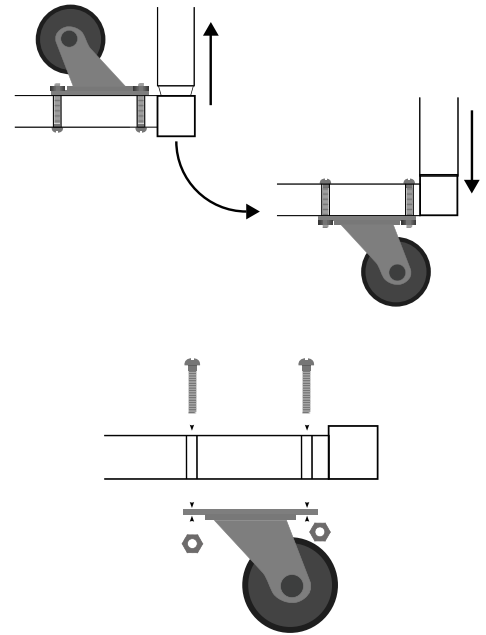
**Notice that the rack may or may not had the casters installed.**

In case they have been installed, you just need to turn upside down the frame with the casters to the correct position.

In case the casters are not installed:

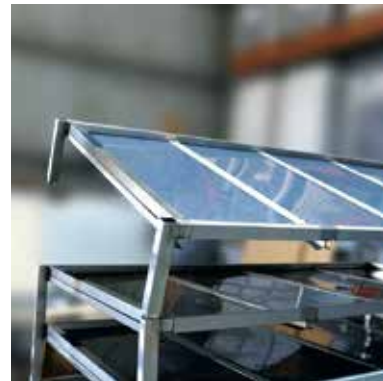
- 1.- Find the casters, nuts, and bolts.
- 2.- Insert the bolts into the holes in the lower frame.
- 3.- Using the ratchet and the 1/2" socket, tighten the caster with the bolts on each corner of the frame until the bolts are flush to the tubing of the frame.

**Note:** Make sure to put all the nuts and bolts included (3 per caster) and not overtighten the nuts.



### STEP 4. Stacking the levels

Stacked the levels over the base frame with the casters installed. You don't have to use tools on this step.



# INSTRUCTION MANUAL

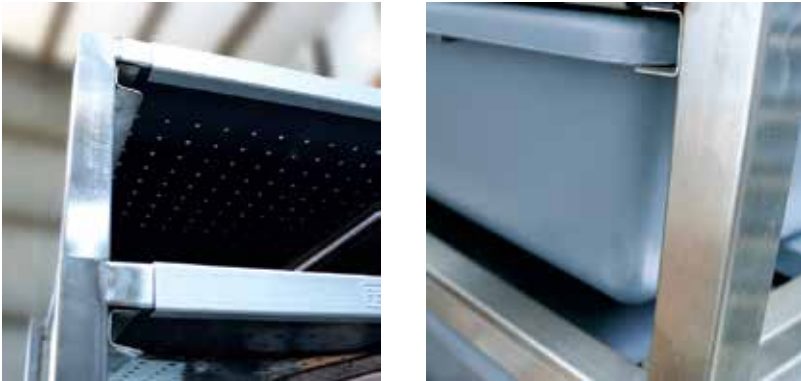
**REPTILE 1030**  
FREEDOM BREEDER



## Assembly

### STEP 5. Trays

Insert the trays thru the channels on each level.



### STEP 6. Heating system



**\*Insulated**

For the Heating system, place the heating panels over the velcro on each level, and connect the panel system to a source power.

Once all the heating panels are placed and plugged into the power strip, you will then plug your power strip into your thermostat or your FB-120 x2 and then plug it into the wall outlet.



# INSTRUCTION MANUAL

## REPTILE 1030 FREEDOM BREEDER



# Assembly

If you purchased a power strip from us, you can either simply zip-tie each end to the side of the rack frame, or zip-screw each end to the rack frame.





## Visit our Website, Instagram and Facebook page



[www.freedombreeder.com](http://www.freedombreeder.com)



[@freedombreeder](https://www.facebook.com/freedombreeder)



[/freedombreeder](https://www.instagram.com/freedombreeder)



### ATTENTION CUSTOMERS:

Please inform the appropriate personnel to always INSPECT YOUR SHIPMENT for damage PRIOR to signing the delivery receipt. If there is obvious damage, do not accept the shipment without NOTING IN DETAIL and taking pictures of the damage on ALL copies of the carrier's delivery receipt. Please have the freight driver SIGN ALL COPIES to acknowledge your damage notation.

**-Thank You!**

\*Any comments or suggestions on this Instructions Manual please send us an email to [manuel@freedombreeder.com](mailto:manuel@freedombreeder.com)  
**www.FreedomBreeder.com 209.664.9600 EXT. 201/202/203**  
Freedom Breeder · 2306 S. Daubenberger Rd. Turlock, CA 95380 USA