



# INSTRUCTION MANUAL

## REPTILE 66-5

FREEDOM BREEDER



REPTILE 66-5

# INSTRUCTION MANUAL

**REPTILE 66-5**  
FREEDOM BREEDER



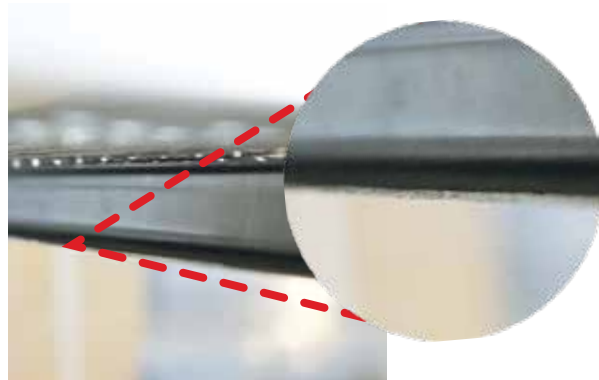
## Product Description

**This rack is made of 304 Stainless Steel, no rust ever!**

This is the #1 choice for Boa and Retic Breeders. Slightly smaller trays than our Reptile 66-6 and larger than our Reptile 66-4, all trays are removable and glide on 2 roller bearing tracks. Removable clear window inserts allow for easy viewing and cleaning. All the ventilation inserts are removable and replaceable. No more climbing inside your snake's cage to clean!

### Caution

Channels and backstops have sharp edges, take precautions.



\*Any comments or suggestions on this Instructions Manual please send us an email to [manuel@freedombreeder.com](mailto:manuel@freedombreeder.com)

# INSTRUCTION MANUAL

## REPTILE 66-5 FREEDOM BREEDER



# Packing List

PART #	DESCRIPTION	QTY
1	Reptile 66-5 Stainless Steel Levels	6
2	13" Heat Panels	6
3	Reptile 66-5 White Trays with 2 Clear Insert Windows Each	6
4	Removable Ventilation Inserts	6
5	Base Frame	1
6	4" Heavy Duty Casters (Nuts and Bolts Included)	4

**\*Any extra items purchased can be found on your invoice.**

**\*Packing list may vary depending on your order.**

# Requirements



1/2" Socket



Ratchet



Cutter



Gloves



Two persons  
**\*Recommended**

# INSTRUCTION MANUAL

## REPTILE 66-5 FREEDOM BREEDER



# Assembly

## STEP 1. Unwrapping

The Reptile 66-5 is packed in a cardboard carton and plastic wrap for protection during shipment. Carefully unpack the items and remove the pallet.

Notice that the Reptile 66-5 is almost assembled.

**Note:** If you detect any issue or damage please contact us before you accept the shipment.



## STEP 2. Parts



Count all parts to make sure nothing is missing.

See Packing list for Descriptions and Quantities.

PART #	DESCRIPTION	QTY
1	Reptile 66-5 Stainless Steel Levels	6
2	13" Heat Panels	6
3	Reptile 66-5 White Trays with 2 Clear Insert Windows Each	6
4	Removable Ventilation Inserts	6
5	Base Frame	1
6	4" Heavy Duty Casters (Screws and Bolts Included)	4

**Continue to step 3**

# INSTRUCTION MANUAL

**REPTILE 66-5**  
FREEDOM BREEDER



## Assembly

### STEP 3. Casters

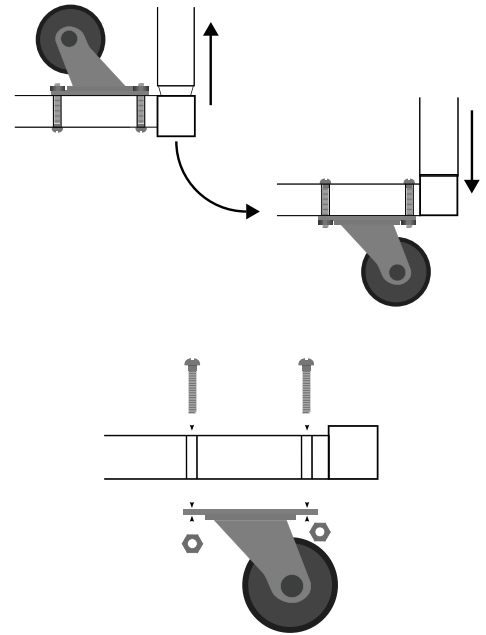
**Notice that the rack may or may not had the casters installed.**

In case they have been installed, you just need to turn upside down the frame with the casters to the correct position.

In case the casters are not installed:

- 1.- Find the casters, nuts, and bolts.
- 2.- Insert the bolts into the holes in the lower frame.
- 3.- Using the ratchet and the 1/2" socket, tighten the caster with the bolts on each corner of the frame until the bolts are flush to the tubing of the frame.

**Note:** Make sure to put all the nuts and bolts included (3 per caster) and not overtighten the nuts.



### STEP 4. Stacking the levels

Stacked the levels over the base frame with the casters installed. You don't have to use tools on this step.



# INSTRUCTION MANUAL

**REPTILE 66-5**  
FREEDOM BREEDER



## Assembly

### STEP 5. Tray Removal Process

1.- Pull the tray all the way out of the rack, and identify the security tabs at the ends rails.



2.- Compress both tabs to release the tray.



3.- Pull up the tray and remove it from the rack.



### STEP 6. Heating system



**\*Insulated**

For the Heating system, place the heating panels over the velcro on each level, and connect the panel system to a source power.

Once all the heating panels are placed and plugged into the power strip, you will then plug your power strip into your thermostat or your FB-120 x2 and then plug it into the wall outlet.



# INSTRUCTION MANUAL

## REPTILE 66-5 FREEDOM BREEDER



# Assembly

If you purchased a power strip from us, you can either simply zip-tie each end to the side of the rack frame, or zip-screw each end to the rack frame.







## Visit our Website, Instagram and Facebook page



[www.freedombreeder.com](http://www.freedombreeder.com)



[@freedombreeder](https://www.facebook.com/freedombreeder)



[/freedombreeder](https://www.instagram.com/freedombreeder)



### ATTENTION CUSTOMERS:

Please inform the appropriate personnel to always INSPECT YOUR SHIPMENT for damage PRIOR to signing the delivery receipt. If there is obvious damage, do not accept the shipment without NOTING IN DETAIL and taking pictures of the damage on ALL copies of the carrier's delivery receipt. Please have the freight driver SIGN ALL COPIES to acknowledge your damage notation.

**-Thank You!**

\*Any comments or suggestions on this Instructions Manual please send us an email to [manuel@freedombreeder.com](mailto:manuel@freedombreeder.com)  
**www.FreedomBreeder.com 209.664.9600 EXT. 201/202/203**  
Freedom Breeder · 2306 S. Daubenberger Rd. Turlock, CA 95380 USA